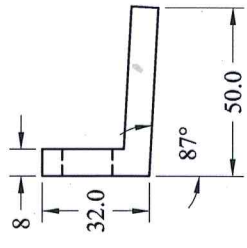
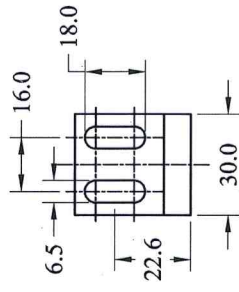
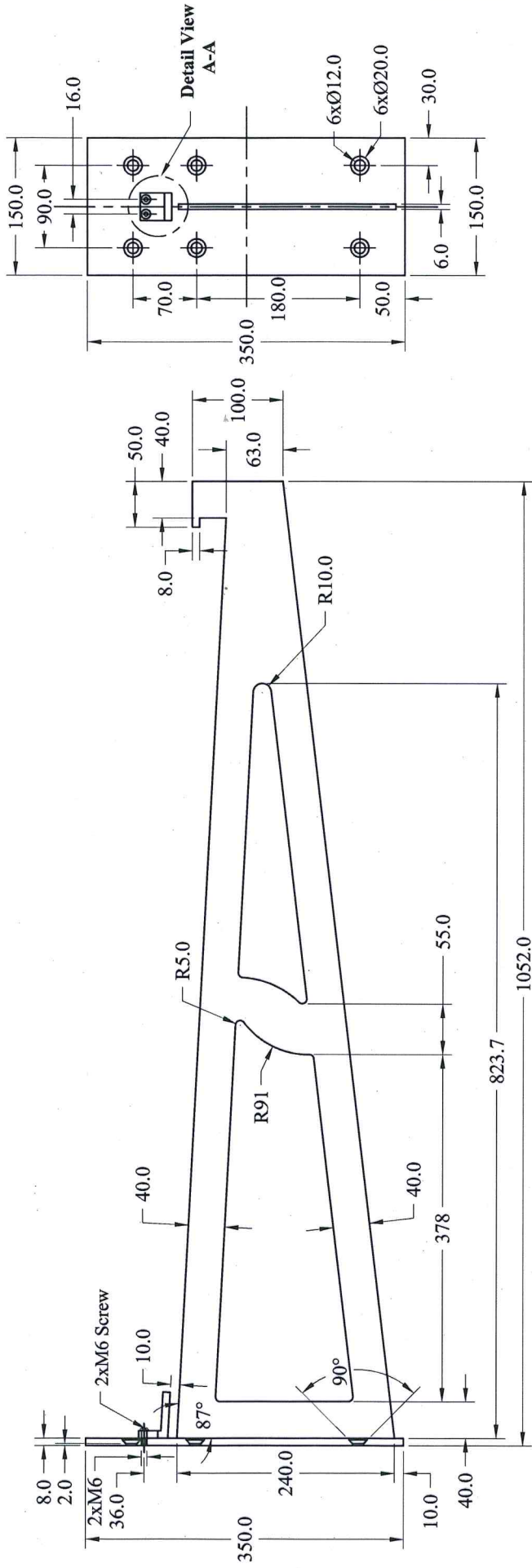


All Dimensions are in MM.



A-A Detail
2:1 Scale

Dim. Range	Linear	Linear	O.D.	O.D.	I.D.	I.D.
0-15	+0.10	+0.20	0-30	+0.00	0-45	+0.15
16-45	+0.10	+0.25	>30	+0.00	>45	+0.30
>45	+0.15	+0.25	>30	+0.00	>45	+0.30

R. No.	Revision note	Date
03	Released for Approval	13.03.13

Part Name:	Canopy for 12.76mm to 20.76 Glass		
Part No:	Customer Part No:	Surface Finish	Material:
190300		SATIN FINISH	SS-304/ SS-316
Drawn By:	Checked By:	Approved By:	Customer Name

1 2 3 4 5 6

A B C D